

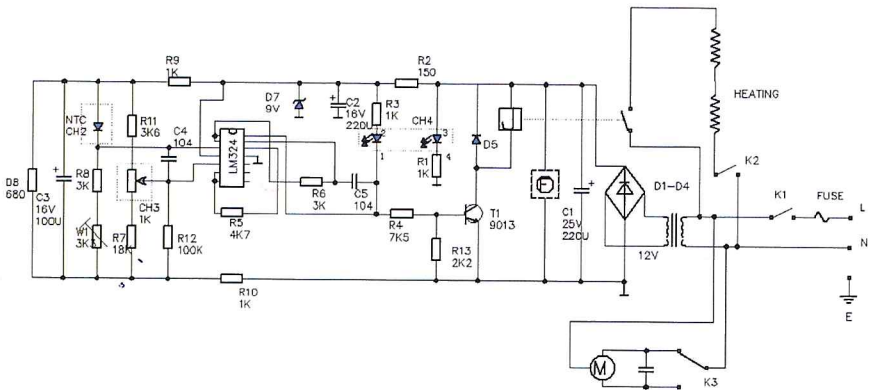
User Manual



1. Temperature Control
3. FWD/REV Switch
5. Ready Light
7. Exit

2. HOT/COLD Switch
4. ON/OFF Switch
6. Power Light
8. Entrance

Electric Diagram



Please read this manual carefully before operate the machine.

OPERATION

1. Place your new laminator on top of a working table and plug power to a grounded 220V outlet (110V for certain countries).
2. Rotate the temperature setting knob to the desired position.
Remark: Pouch thickness, paper type, pouch size or pouch quality may require different temperature settings.
3. Press ON/OFF switch to ON, the POWER light will turn on, indicating laminator has been activated.
4. The READY light will turn on in about 3-4 minutes, then machine ready to start laminating.
5. Insert the document to be laminated into the pouch, then insert the pouch (sealed side first) into the entrance of the laminator. Do not push or press the pouch, the heated rollers will automatically take the pouch in. If the document was improperly inserted (at an angle), then there is a risk of jamming, press REV on the FWD/REV switch immediately. Wait until the document get out completely. Press FWD to continue with normal lamination.
6. Remove the pouch from the exit of the laminator, and let it sit for a few seconds to cool down.

IMPORTANT

- a). Pouch not sealed or very milky, increase the temperature, repeat lamination when machine ready light on.
- b). Pouch curled or wavy, decrease the temperature to improve result.
- c). Different brand pouch film have different composition, may require different temperature setting, please try one or two pieces to find out best temperature setting for the pouch film you using.

For cold lamination: simply adjust the temperature adjustment knob to COLD position. If the laminator is hot, wait a minute or two before laminating.

7. Turn the laminator off once you finish laminating.

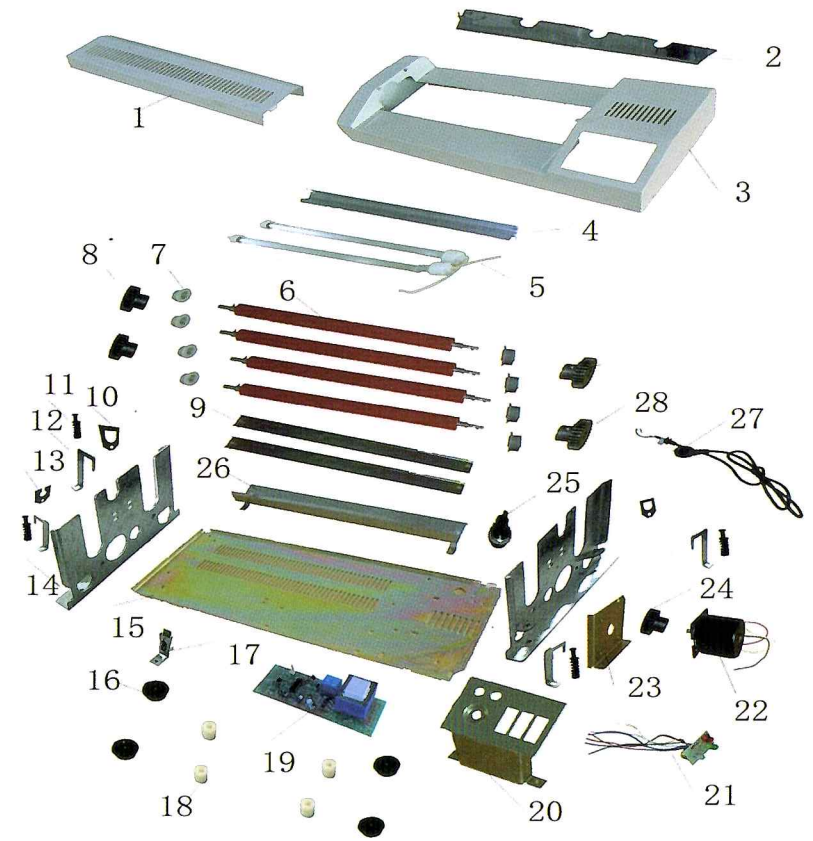
Remarks:

- 1). If you will continue to laminate shortly, leave the laminator on. This will allow to continue laminating without warming up machine again.
- 2). If you will not laminate for long time, we recommend that you turn off the laminator, this will save energy and increase the laminator's lifespan.

PRECAUTIONS

- 1). Always turn off the laminator if you will stop laminating for long time
- 2). To reduce the risk of electric shock, do not operate the laminator near water.
- 3). Do not use the laminator if power cord damaged.
- 4). Do not let the power cord contact with hot surfaces.
- 5). Do not clean roller or lamp when machine hot or still connect with power.
- 6). In case of malfunction, return the laminator to your distributor for service.

This laminator does not contain any part for customer to repair.



1	Top Cover	11	Tension Screw	21	Thermal Switch and Indicators
2	Upper Exit Plate	12	Pressure Hook	22	Motor
3	Body Cover	13	Heater Clip	23	Motor Bracket
4	Upper Heater Tube	14	Left Roller Bracket	24	Motor Gear
5	Heater	15	Bottom Plate	25	Fuse
6	Roller	16	Rubber foot	26	Down Heater Tube
7	Bushing	17	Heat Sensor	27	Power Cord
8	Roller Gear	18	Insulation Pad	28	Roller Gear
9	Middle Educe Plate	19	Main PCB		
10	Down Roller Fix Pad	20	Switch Bracket		